



## ADVANCED SERIES

# Evolution Plus 750 EC

### Category Benefits

This model offers the following benefits:

- Food waste is ground into particles and flushed away
- A convenient solution to food waste in the home
- Lift & Latch Technology and grips on trim shell make it easy to install into new or existing kitchens and can be fitted to most sinks

### Features

This model offers the following features:

- **0.75 HP induction motor** provides maximum grinding power and durability
- **Quiet SoundSeal Technology**
- **Advanced Grind** for tough and fibrous food scraps
- **3-Stage MultiGrind Technology.** Finest grind (Compared to 1- and 2-Stage MultiGrind Technology)
- **Vented removable baffle**
- Safe for use with properly maintained septic tanks
- Air Switch in Chrome

### Warranty

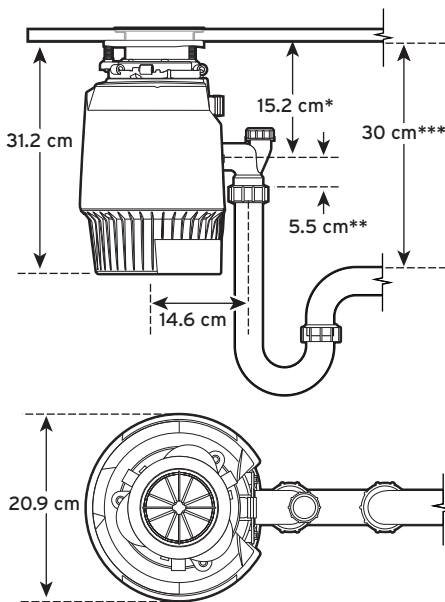
Up to 4-Year Limited Warranty\*

\* Visit [www.insinkerator.com/product-registration](http://www.insinkerator.com/product-registration) for warranty details.

### Specifications

Type of Feed	Continuous
On/Off Control	Air Switch
Motor	Single Phase
Motor HP	0.75
Volts	220-240
HZ	50-60
Motor Power, W	380 W
Time Rating	Intermittent
Lubrication	Permanently Lubricated Upper & Lower Bearings
Shipping Weight (Approx.)	8.34 kg
Overall Height	31.2 cm
Motor Protection	Automatic Reset
Drain Connection	3.8 cm Cushioned Slip Joint
Dishwasher Drain Connection	Yes
Grind Technology	3-Stage MultiGrind Technology
Plug	Schuko
Grind Chamber Capacity	980 ml

### Dimensions



\*Distance from bottom of sink to centre line of disposer outlet. Add 12.7 mm when stainless steel sinks are used.

\*\*Length of tailpipe from centre line of disposer outlet to end of tailpipe.

\*\*\*Distance between bottom of sink bowl to the waste pipe to be minimum of 30 cm.