

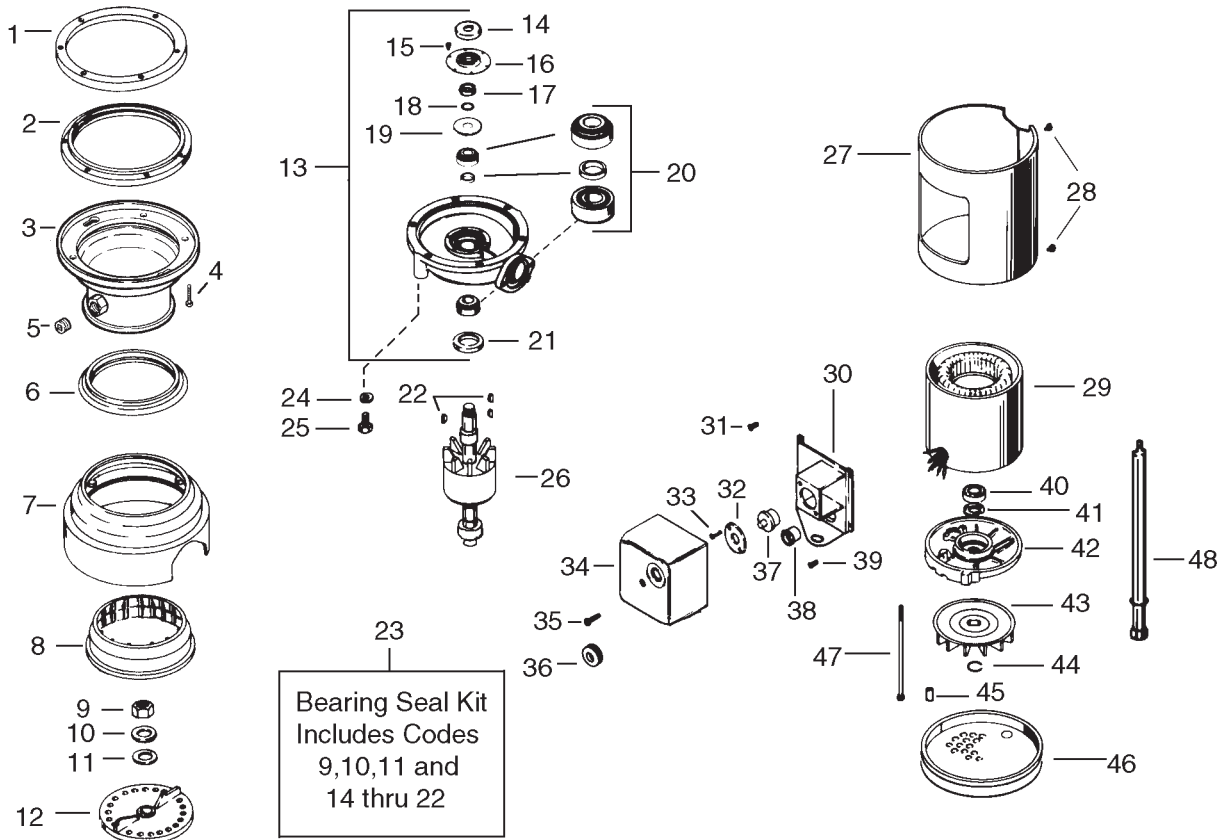
ENVIROVAC

1 YR
FULL WRNTY

COMMERCIAL DISPOSER MODEL NO. SS100-42 (380 Volt / 50 Hz / 3 Phase)

Start Date:
01/96
Engineer Number:
13660-S

1 H.P.



ORDER BY PART NUMBER, NOT CODE NUMBER

CODE NO.	PART NO.	NO. REQ.	DESCRIPTION	CODE NO.	PART NO.	NO. REQ.	DESCRIPTION
1	11004	1	Flange, Mounting	26	13592-E	1	Rotor & Shaft Assy. (Incl. Codes 40)
2	11016	1	Gasket, Mounting	27	12370	1	Trim Band
3	11020-A	1	Body, Assy, Upper	28	1836-A	2	Screw (8-32x1/2)
4	1491	6	Screw (1/4-20x3/4)	29	13714-B	1	Stator Assy
5	11227	1	Plug, Pipe	30	12433-P	1	Bracket Assy (Mounting)
6	11006	1	Gasket, Shredder	31	11448	4	Screw (8-18x1/4)
7	12442	1	Body & Cover Assy.	32	12378	1	Clamp, Overload
8	13798	1	Shredder, Stationary	33	8221	2	Screw (8-32x1/2)
9	11260	1	Nut	34	13396-E	1	Box, Terminal Assy (Incl. code 36)
10	12445	1	Washer	35	12381	1	Screw (8-32x1-1/4)
11	12142	1	Washer, Fiber	36	13559	1	Grommet, Overload
12	13799	1	Assy, Rotor Shredder	37	13422-BE	1	Overload Protector
13	13928	1	Assy, Upper End Bell (Incl. Codes 14 - 22)	38	12384	1	Bushing
14	12936	1	Shield	39	2466-A	1	Screw, Ground
15	13919	6	Screw (8-18x1/2)	40	13709	1	Bearing, Lower
16	12934-A	1	Seal Assy	41	13678	1	Spring, Pre-load
17	12935	1	Sleeve, Spacer	42	13747	1	End Frame, Lower
18	12860	1	O-Ring	43	13676	1	Fan
19	12319	1	Slinger	44	13677	1	Ring, Retaining
20	12322	1	Assy, Upper Bearing	45	12490	3	Tube, Spacer
21	12326	1	Seal, Water & Oil	46	12396	1	Cover, Bottom
22	11322	3	Key, Woodruff	47	11940-A	3	Bolt, Thru
23	13080-A	1	Kit, Bearing Seal (Incl. codes 9 -11 & 14 - 22)	48	11757-B	2	Tube, Foot Assy. (Optional)
24	11444	3	Washer, Lock				
25	3135	3	Screw(1/4-20x1)				

ENVIROVAC

1 YR
FULL WRNTY

COMMERCIAL DISPOSER
MODEL NO. SS100-42
(380 Volt / 50 Hz / 3 Phase)

Start Date:
01/96

Engineer Number:
13660-S

1 H.P.

ORDER BY PART NUMBER, NOT CODE NUMBER

CODE NO.	PART NO.	NO. REQ.	DESCRIPTION	CODE NO.	PART NO.	NO. REQ.	DESCRIPTION