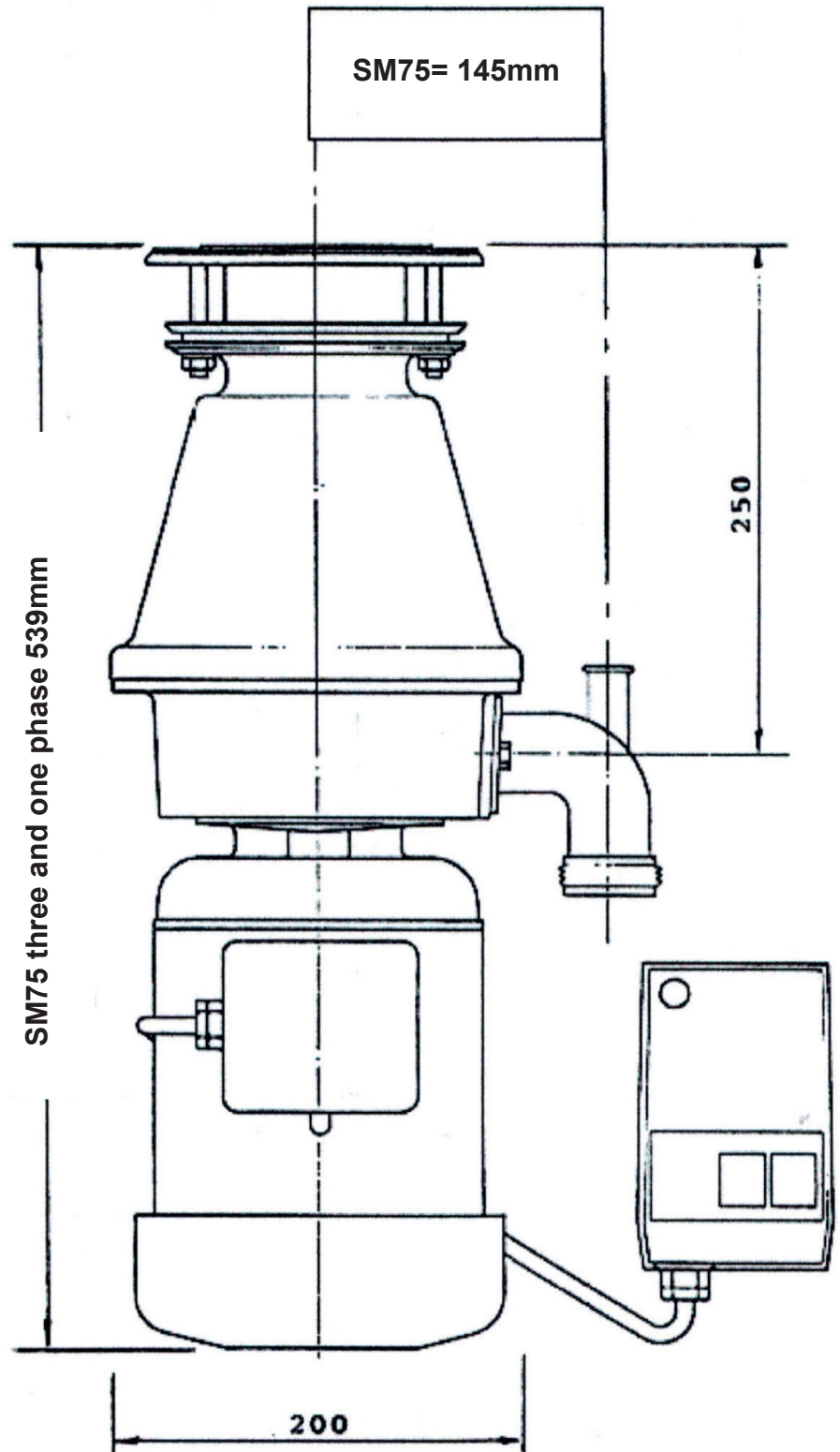


**COMMERCIAL FOOD WASTE DISPOSER SM75**

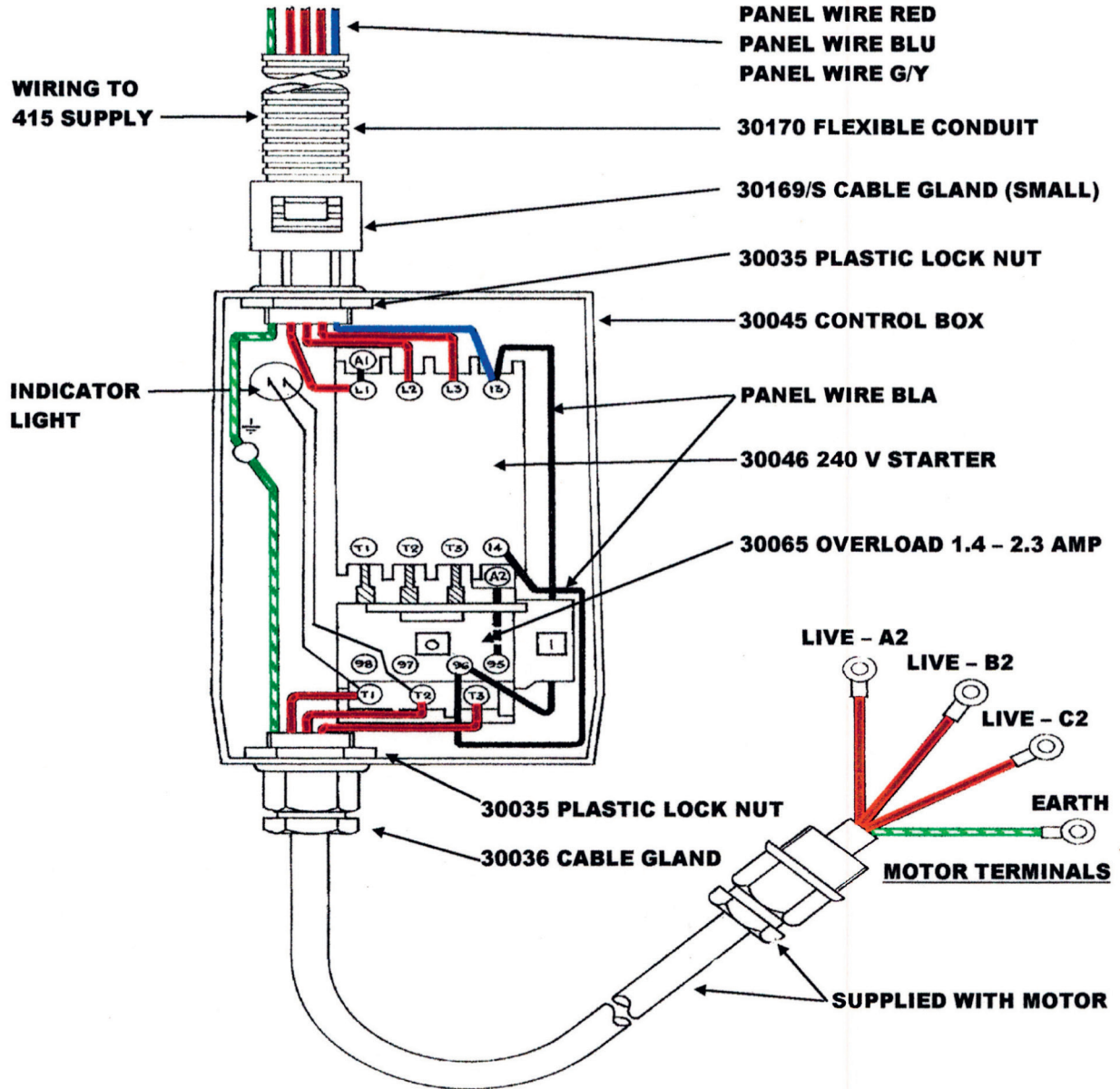
CE tested:	Authorised:	Date:
1	K.Bonfield	22/01/21
2		
3		
4		

**DIMENSIONS TGM MODEL SM75**



SM75 1 Phase order code: F75/301  
 SM75 3 Phase order code: F75/321

Capacity/hour 200 kg  
 Motor 0.75 kW 3/4 HP  
 Voltage 220/240-1-50/60 or 415/440-3-50/60  
 Controller Wall Mounted  
 Marpol / CE Approved



**MAINS CABLE - COLOURING CODES**

LIVE - BROWN

NEUTRAL - BLUE

EARTH - GREEN / YELLOW

<b>THE GREEN MACHINE INDUSTRIAL</b>	
DRG. No.	<b>31221 / 2 of 2</b>
<b>SM75 3ph (HVD) Assy</b>	
Drawn: 31333	Date: 22/01/2021
Scale: Do Not Scale	

Also available in 4-wire machine without neutral ( blue wire )