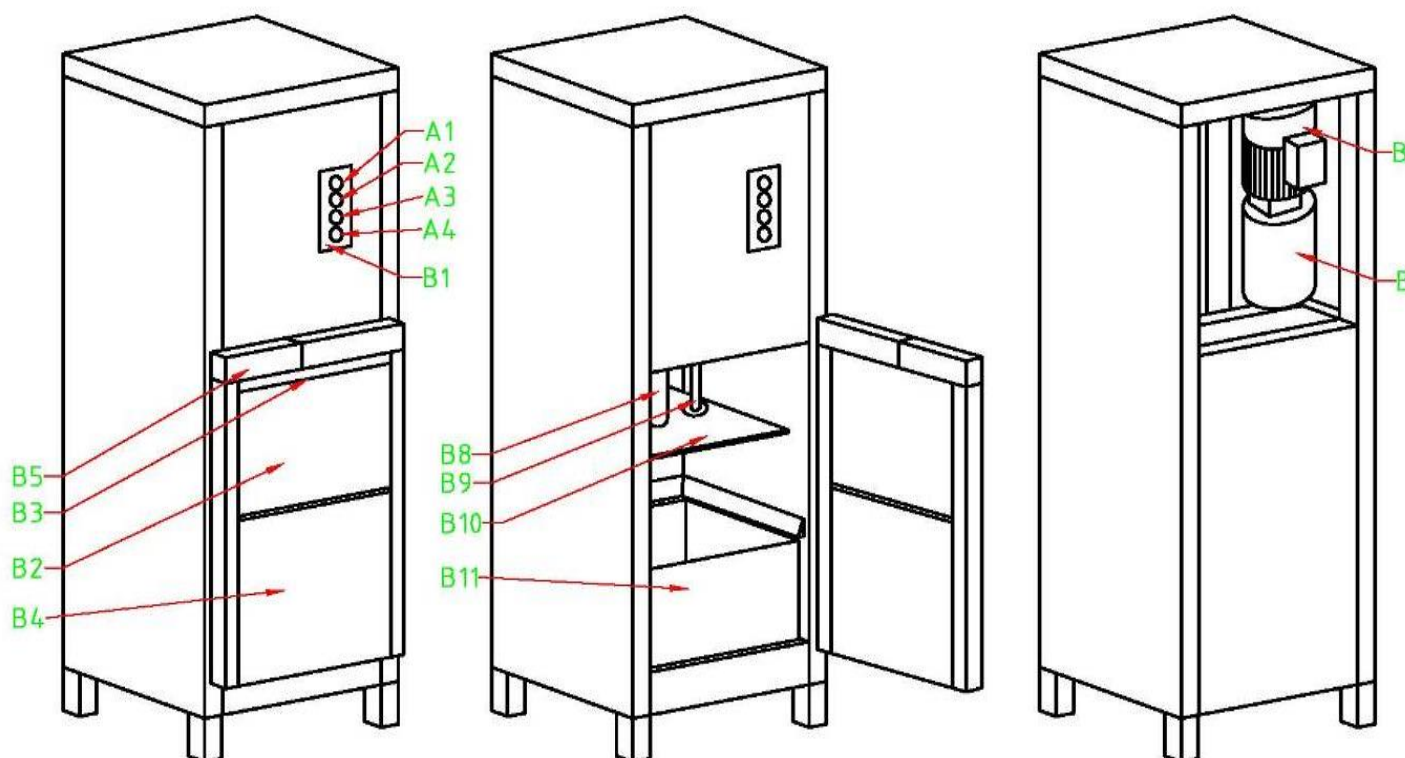


TGMi 750 COMPACTOR



CE

USER'S MANUAL



Short operation instruction VMT 4000

- By pushing the automatic start button (4) the press plate is put into action and which automatically returns to the start position.
- With start bottom (2) the press plate remains in bottom position and light 2 is lit (night position).
- If the container is full, the press plate remains in the bottom position and the light in the start position flashes (2).
- By means of pushing start bottom (2) the press plate returns to the start position.
- The Compactor switches off when the door or filler is opened.

Control panel:

A1 Emergency Stop

A2 Start down
Full bag: light on/off

A3 Failure

A4 Start, 1 press cyclus

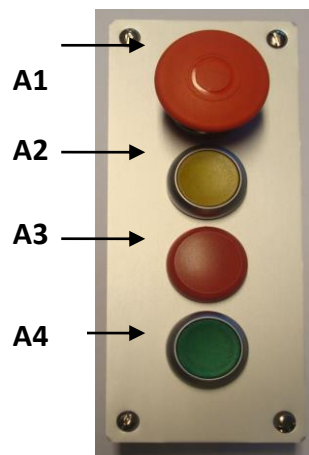


TABLE OF CONTENTS		3. Operation	1-7
FOREWORD	1-2	3.1 Preparation for filling	1-7
IDENTIFICATION OF THE UNIT	1-2	3.2 Filling	1-7
		3.3 Compacting	1-7
		3.6 FULL indicator	1-7
		3.7 Emptying	1-7
		3.8 Switching off	1-7
SAFETY GUIDELINES AND WARNINGS OF DANGER	1-3		
MATERIALS USED AND THE ENVIRONMENT	1-4	4. CLEANING AND MAINTENANCE	1-8
1 introduction	1-5	5. FAULTS AND SERVICE/ WHAT TO DO	1-9
1.1 Description of the process	1-5	6. TECHNICAL SPECIFICATIONS	1-10
1.2 Description of the unit	1-5	7. OPTIONS	1-10
1.3 Functioning	1-5	8. REMOVALS	1-10
2. UNPACKIN/INSTALLATION	1-6		
2.1 Unpacking	1-6		
2.1 Installation	1-6		

KEEP THIS MANUAL FOR FUTURE REFERENCE

For the duration and the conditions of the guarantee we suggest you contact your supplier. You are also referred to our general sales and delivery conditions that are available on request.

All liability for loss or injury resulting from the failure to follow these instructions or due to a failure to take the normal precautionary measures or due to carelessness in actions, operation, maintenance or repair work if not specifically described in this manual is rejected by the manufacturer.

Because of our constant efforts to improve our product it can occur that the details of your unit may differ from what is described in this manual. For this reason these instructions serve only as a general guide for the installation, use, maintenance and repair of the unit mentioned in this manual.

This manual was prepared with all due care, but the manufacturer cannot assume responsibility for any possible errors in this manual or the consequences thereof.

Users are permitted to copy this manual for their own use.

All rights are reserved and no part of this manual may be reproduced and/or publicised in any manner whatsoever.

FOREWORD

General

This manual is meant for the user of the Compactor. The options and operation are described, with references also being made to the safest and most efficient possible use of the unit over a long period of time.

Pictograms and symbols

In this **manual** the following pictograms and symbols will be used:



Suggestions and recommendations to simplify carrying out tasks and actions.



CAUTION!

Possible damage to the unit if the instructions are not carefully followed



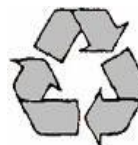
WARNING!

Possible physical injury or serious damage to the unit if the instructions are not carefully followed.



WARNING!

Denotes risk of electric shock.



Recycling symbol

The following pictograms appear on **the unit**:



WARNING!

Denotes risk of electric shock

The electrical and hydraulic diagram applicable to the Compactor can be found in a holder on the rear of the unit

In case of malfunctions contact your supplier/service agency. Be sure you have the following data on hand:

- Model
- Serial number

The identification plate contains this data.

IDENTIFICATION OF THE UNIT

The identification plate is located on the left side of the control panel and contains the following data:

- Name of the supplier or the manufacturer
- Model
- Serial number
- Year of construction
- Rated voltage
- Frequency

Service and technical support

SAFETY GUIDELINES AND WARNINGS OF DANGER

General

The manufacturer accepts no liability whatsoever for loss or injury caused by the failure to (strictly) adhere to the safety guidelines and instructions in this manual, or due to carelessness during installation, use, maintenance and repair of the unit referred to in this manual and the possible associated accessories.

The user of the unit is at all times fully responsible for the fulfilment of the locally applicable safety regulations and guidelines.

Instruction manual

- Anyone who works on or with this unit must be aware of the contents of this manual and must carefully follow all guidelines and instructions.
- The management must instruct the personal on the basis of this manual and must follow all instructions and regulations
- Never change the order of the steps to perform
- Always keep the manual with the unit

Pictograms and warnings on the unit.

- The pictograms, warnings, and instructions attached to the unit are part of the safety features. They must not be covered or removed and must be present and legible during the entire life of the product.
- Immediately replace or repair damaged or illegible pictograms, warnings and instructions.

Users

The use of this unit is exclusively reserved to well authorised, trained and qualified users.

Use according to purpose ^{*1}



WARNING

- The TGMi 750 Compactor was designed solely for the compacting of light waste including packaging materials made of cardboard, plastic, wood and tin as well as kitchen and restaurant waste.
- No aggressive chemicals or flammable and/or explosive substances must be processed in the unit.

Every other or further reaching use (such as, for example, the compacting of wooden or metal objects) is viewed as not consistent with intended use. With regard to loss or injury that may be the consequence hereof the manufacturer accepts no liability whatsoever. The unit was built in accordance with European Guidelines and standards as specified in the CE statement delivered along with your unit.

Use the unit solely in technically perfect condition, as per the above described purpose

^{*1} to ensure its proper functioning, the unit must be used solely in accordance with its purposes as stated in EN-292-1. "Intended use" as mean in this statement, is the use for which this technical piece of equipment- in accordance with the technical specifications of the manufacturer inclusive of the directions in the sales brochure- is suited. In case of doubt it is the use which can be deducted from the construction, the model and the function of the technical product which is considered normal use. Operating the unit within the limits of its intended use also involves observing the instructions in the user manual.

Technical specifications

- The specifications in this manual must not be changed.



In relation to the danger of short circuits the unit must not be cleaned using a water hose

Modifications

- In case of unauthorised modifications in or on the unit every liability on the part of the manufacturer becomes null and void.

- Respect the instructions given in chapter 5 regarding what to do in case of malfunction.

Use



WARNING

In order to prevent slipping. Keep the Floor in vicinity of the unit clean.

- In connection with danger of short circuits the unit is not suited for use in a rainy or very moist environment.
- To ensure its continued proper functioning clean the unit regularly.



CAUTION!

Before moving the unit if it is a wheeled model:

- Place the punch in the lowest position
- Switch the unit off.
- Remove the plug from the outlet
- While moving the unit be careful when passing any corners or thresholds.

Hygiene

In order to prevent the undesirable growth of any bacteria, it is necessary that the Compactor be emptied and cleaned regularly. This also applies to the floor under and around the unit

Service, maintenance and repairs (If necessary)

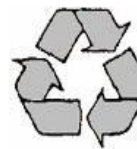


This manual clearly makes a distinction between service maintenance and repair jobs which have to be carried out by user and these which have to be exclusively carried out by well trained and authorised service engineers

WARNING

MATERIALS USED AND THE ENVIRONMENT

Packaging material



All packaging materials used by TGMi are recyclable.

- Untreated wood
- Cardboard
- Styropor
- Polypropylene tape
- Polyethylene foil

- Do not dispose these materials along with normal waste but enquire at the sanitary service of your municipality how to dispose of them

Environmental guidelines

Depending on the country in which the Compactor is used, various guidelines with regard to the separation of wastes apply.

- Adhere to the locally applicable regulations

1. INTRODUCTION

1.1 Description Of The Process

An electrical motor causes hydraulic pressure to build up in the Compactor that moves a punch down load such that waste is compacted into a container located underneath it.

1.2 Description of the unit

Description of the various parts of your Compactor

FOLD BACK THE COVER

1. TGMi 750 Compactor

A CONTROL PANEL

- A1 Emergency stop
- A2 full
- A3 Start

B Other parts of the Compactor

- B1 Service hatch
- B2 Filler opening
- B3 Opener filler opening
- B4 Door
- B5 Door opener
- B6 Reservoir hydraulic oil
- B7 Motor
- B8 Cylinder
- B9 guide posts
- B10 Punch
- B11 Container

The Compactor has an electronic drive that activates the hydraulic system. Under the punch of the hydraulic systems there is a container in which the materials to be compacted is brought through the filler opening. After the punch is activated a single compression stroke is carried out, after which the punch returns to its highest position. When the container is full, the punch remains in the lowest position and the red signal lamp remains on.

The Compactor switches off when the door or filler opening is opened.

The sheet work is made of stainless steel 304.

1.3 Functioning



2.1 Unpacking

- Remove all packaging materials from the unit.
- Inspect the unit for damage.
- Make sure that all parts that belong to the model you have ordered are present.
- **Read the manual before proceeding.**

If any parts are missing or damaged, contact your supplier.

2.2 Installation

- Place the unit flat on a sufficiently sturdy surface that is preferably easy to keep clean.
- Place the unit in a well-ventilated location
- Be sure that the personnel have sufficient your supplier
- Keep in mind the unit's accessibility in case any maintenance and service work needs to be done
- Place all (optional) parts and/or accessories

WARNING

The unit has a bipolar grounded plug. An authorised installer must install the wall outlet. See chapter 6 for the necessary electrical installation.



If the unit will temporarily not be used and must be stored

- Clean it thoroughly
- Pack it dust free
- Store it in a dry place to prevent it from deteriorating in quality

3 OPERATION

The instructions for operation are described in the following paragraphs. The codes refer to the illustrations on the foldout sheet of the cover. When the Compactor is delivered the punch (B10) is in its lowest position. To bring the punch to its highest position take the following steps.

- Put the plug in the outlet

The punch will move to the highest position. The green signal lamp (A2) will be only if the motor if the hydraulic systems is functioning.

3.1 Preparation for filling.

- Open the door (B4) and remove the container (B11) from the Compactor.
- Place a waste bag in the container. Be sure the bag is on the bottom, and fold the bag over the edge from the outside of the container downward.
- Place the container in the Compactor.
- Close the door.

3.2 Filling.

- Open the filler opening (B2)
- First load cardboard or plastic to protect the bottom of the bag
- Continue filling until the container is filled to just under the.
- Close the filler opening

Stop filling as soon as the container is full after compacting.

3.3 Compacting

- Place the option switch on “START “ and release it

The Compactor will now make a single compression stroke and the return to its uppermost position.



3.6 FULL indicator

The red signal lamp (A3) is on when the Compactor is full. The compression stroke is interrupted. The punch remains in the lowest position. There are two ways to ring it back to its uppermost position:

- Open and close the filler opening
- Place the option switch on “off”, then immediately on “start” and release it.

3.7 Emptying

- Open the door (B4).
- Pull the container out of the Compactor.
- Close the bag.
- Remove the bag from the container.

4 CLEANING AND MAINTENANCE

The guideposts do not require greasing. Maintenance as specified in this chapter is sufficient.

WARNING



Always take the following measures to prevent electric shock:

- Remove the plug from the outlet

4.1 Regular maintenance

Inside

Clean the inside of the Compactor, the punch, the guideposts and the container with a non-aggressive cleanser. The space in which the container is located may be given a final rinse with a lo-pressure stream of water.

Outside.

Clean the outside with a moist cloth and a non-aggressive cleanser and rub again with a clean moist cloth to remove any cleanser residual.

WARNING



Moisture in the electrical compartment can cause short circuits. The (uppermost) part of the unit in which the electrical components are located must therefore never be cleaned using a water hose

4.2 Monthly maintenance

- Check the level of the hydraulic oil in the system.
- Add oil if necessary. The maximal oil level must remain at least 1 cm under the upper edge. Recommended oils are:
 - Shell Tellis T32
 - Texaco 32
 - Mobil 32.
- Clean the guideposts with a moist cloth and a non-aggressive cleanser, and give a final rub with a clean moist cloth to remove any cleanser residual.

4.3 Annual maintenance

Since the oil in the hydraulic system can age, it must be replaced once a year. You cannot do this yourself. Contact your supplier/service agency.

5 FAULTS AND SERVICE/WHAT TO DO

Before you consult your dealer or the service agency when there is a fault, you can check the following points yourself:

Fault: the unit does not work

- Is the plug in the outlet
- Is the power supply OK?
Check the fuses and the earth leakage switch in the meter cupboard
- Is the filler switch (A1) in the proper position?
- Is the filler opening (B2) properly closed?
- Is the door (B4) properly closed?

Fault: Excessive vibration and noise during compacting.

- Are the guideposts clean?

Fault: Insufficient or no pressure in the system (as evidenced by the punch not moving properly).

- Check the oil level and top up as needed



WARNING

Contact your supplier/service agency immediately when the electric cable is damaged. Immediate replacement is necessary because of possible danger.

6 TECHNICAL SPECIFICATIONS

Model	TGMi 750 Compactor
dimensions	
width	560 mm
depth	475 mm
height on legs	1.750 mm
Weights	
gross	198 kg
net	196 kg
Electrical installation *	
Voltage	1N-50/60Hz 230-240 V
max. rated voltage	3.8 A
capacity to be placed	800 W
motor	0.75 KW
compression	4000 kg
content hydraulic system	3,5 Ltr
plug	2-polig 16A grounded
with cable length	ca 2,8 m ¹
noise pressure (at workplace)	≤ 70 dB(A)
Standard accessories	instruction manual
Container, contents	75 Ltr

*these data can vary from country to country. Look on the identification plate for the date applicable to your unit

7 OPTIONS

- Dispenser waste bags
- Waste bags
- Wall fastening

Your supplier will be glad to give you all information concerning the application of these options

8 REMOVAL

If after years of use your unit needs to be replaced, your VMT supplier will be glad to advise you. You can also obtain advice concerning the removal of your used unit that still contains valuable substances and materials.

Be sure that all materials are dealt with according to the currently applicable environmental regulations.