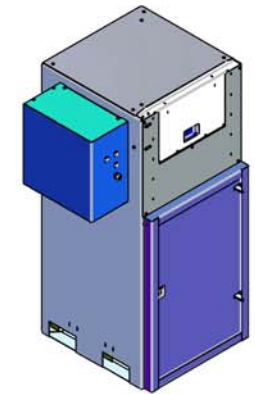
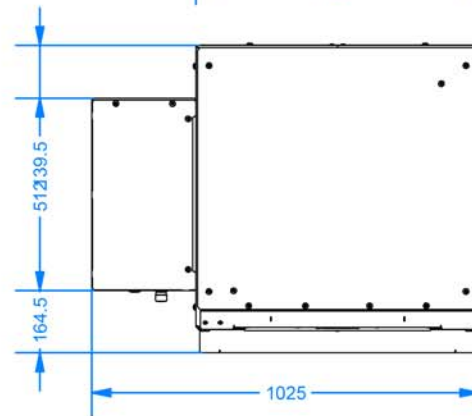
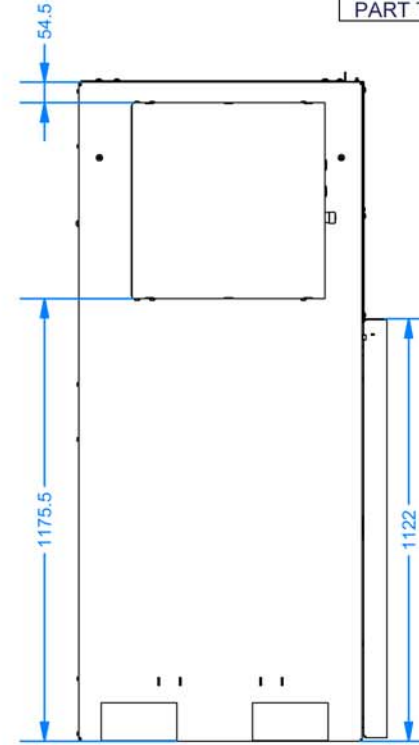
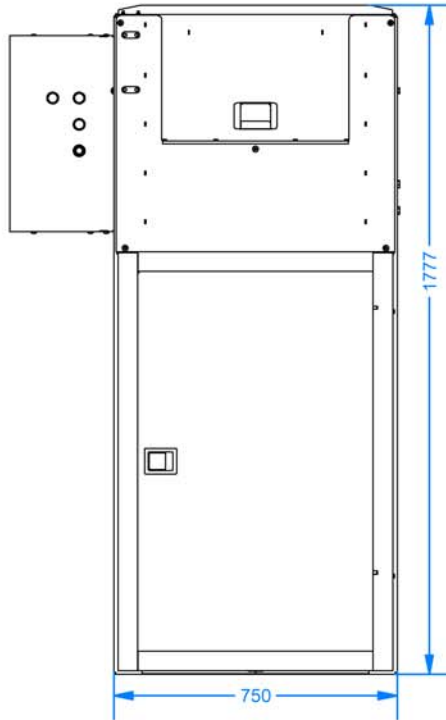
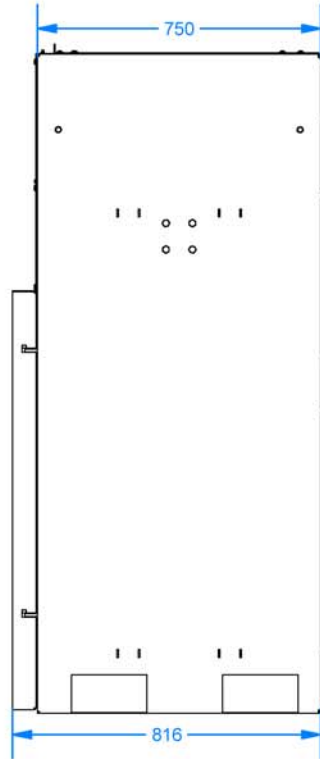


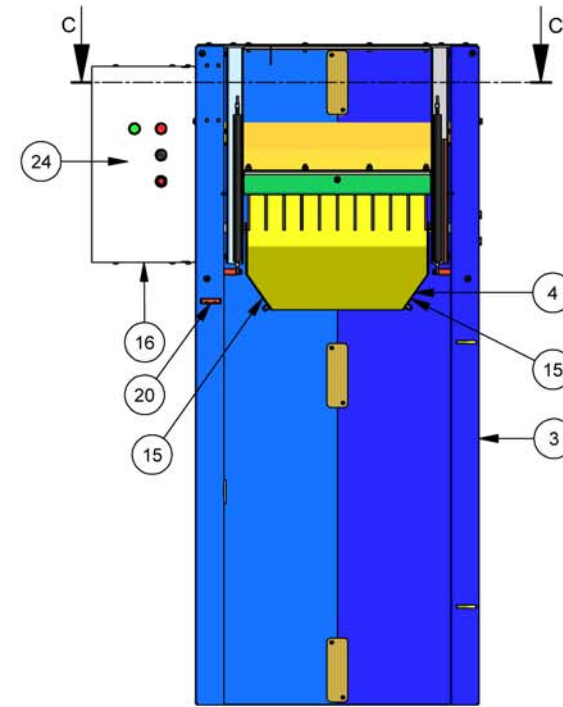
ALL DIMENSIONS IN mm
 ROUND AND DEBURR ALL EDGES
 PART TYPE: ASSEMBLY



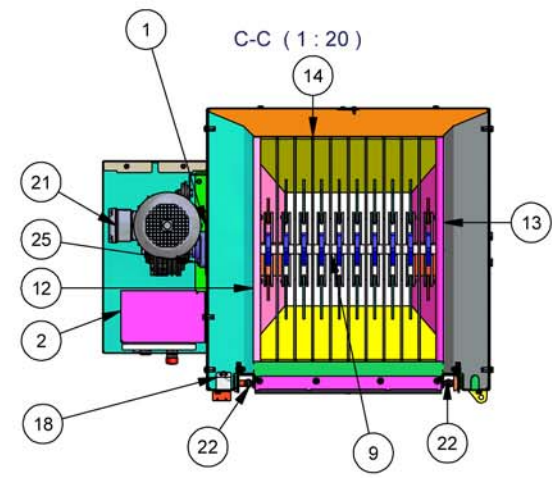
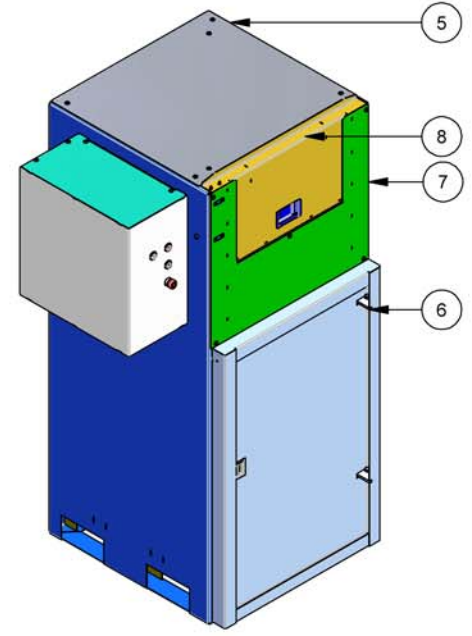
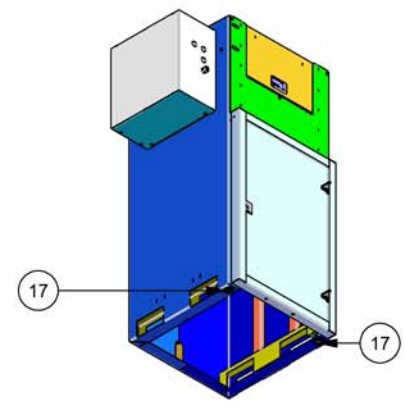
MATERIAL	DATE 22/02/2011	PART NO: 240.000.0000.MR3		The Green Machine Industrial P.O. Box 108 3600 AC Maarsse, The Netherlands Sales T. +31 (0) 653192745 Service T. +31 (0) 628467120 www.thegreenmachine.nl, info@thegreenmachine.nl	
	SCALE N.T.S.	DRAWING NO. SH1	REVISION MR		

USED IN MACHINES: GLASS CRUSHER

Parts List			
ITEM	QTY	PART NUMBER	TITLE
1	1	240.000.1001.MR2	Shaft Hole Blanking Plate
2	1	240.000.1002.MR2	Electrical Enclosure Bracket
3	1	240.001.0000.MR3	Chamber Assembly
4	1	240.002.0000.MR3	Grate Assembly
5	1	240.003.0000.MR3	Top Lid Assembly
6	1	240.004.0000.MR3	Bottom Door Assembly
7	1	240.005.0000.MR3	Loading Door Slide Frame Assembly
8	1	240.006.0000.MR3	Loading Door Assembly
9	1	240.007.0000.MR2	Shaft Assembly
12	1	240.010.0000.MR3	Chamber Slope LHS Side Assembly
13	1	240.011.0000.MR3	Chamber Slope RHS Side Assembly
14	1	240.012.0000.MR3	Chamber Slope Back Assembly
15	2	240.013.0000.MR3	Grate Side Blanking Plate Assembly
16	1	240.014.0000.MR3	Motor Cover Assembly
17	2	297.004.0000.mr0	Levelling Foot Assembly
18	1	440GMT-ASSEMBLY.SLDPRT	Rockwell 440GMT SAFETY SWITCH
19	1	AB 440N-Z2NRS1A_1	Allen Bradley Magnetic Coded Switch 440N Z2NRS1A (Wired)
20	1	AB 440N-Z2NRS1A_2	Allen Bradley Magnetic Coded Switch 440N Z2NRS1A
21	1	Dutchi 1.8kW Motor	Dutchi 1.8kW Motor
22	2	Gas Strut F-SD03-350	Gas Strut G0818150
23	1	Hydromec P063BRL9015C0MB3	Hydromec Gearbox P063BRL015C0MB3
24	1	Rittal Enclosure 1035.500	Rittal Elec Enclosure
25	2	UCF205	Bearing UCF205
29	4	240.009.0000.MR2	Shaft Short Hammer Assembly
30	16	240.008.0000.MR2	Shaft Long Hammer Assembly



ALL DIMENSIONS IN mm
ROUND AND DEBURR ALL EDGES
PART TYPE: ASSEMBLY

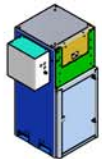


MATERIAL	DATE 22/02/2011	PART NO: 240.000.0000.MR3	
	SCALE N.T.S.	DRAWING NO. SH2	REVISION MR

The Green Machine Industrial
P.O. Box 108
3600 AC Maarssen, The Netherlands
Sales T. +31 (0) 653192745
Service T. +31 (0) 628467120
www.thegreenmachine.nl, info@thegreenmachine.nl

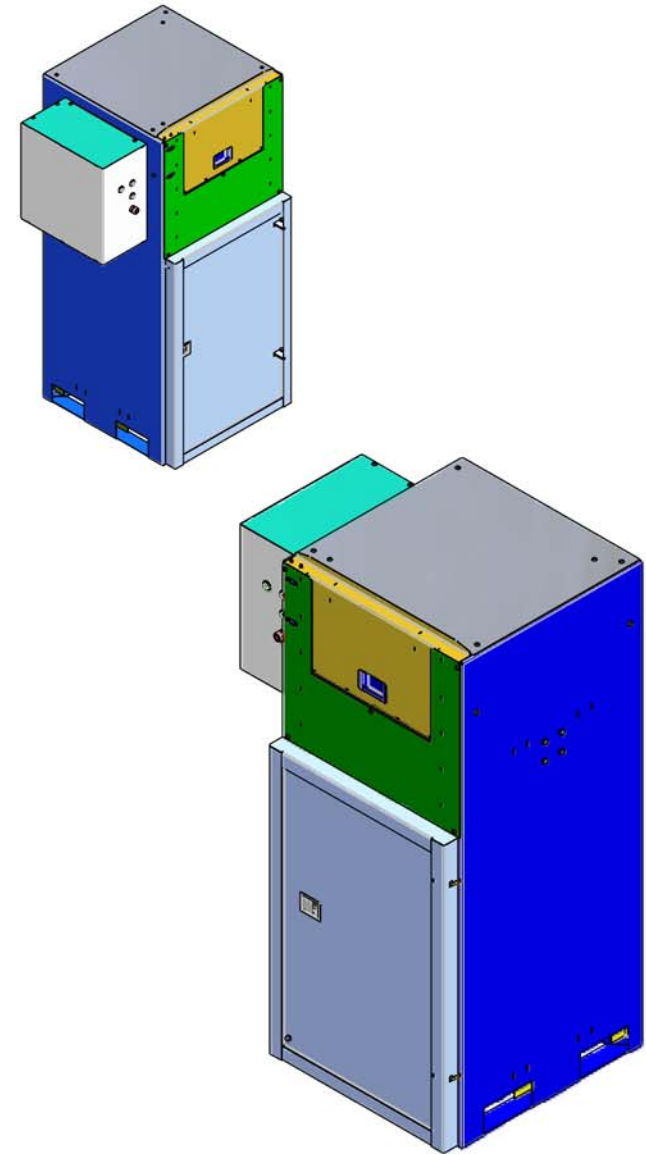
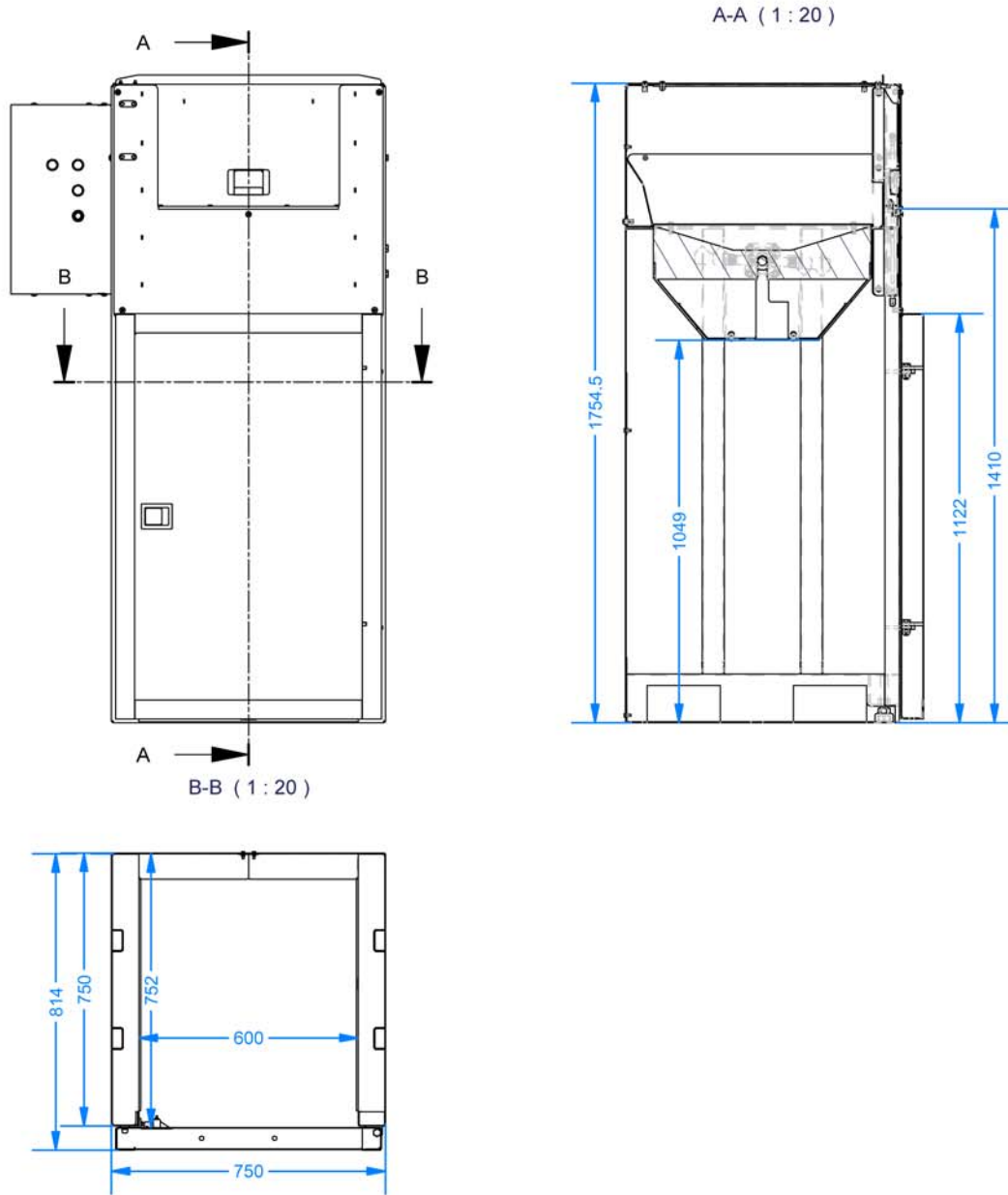


Parts List				Parts List				Parts List			
ITEM	QTY	PART NUMBER	TITLE	ITEM	QTY	PART NUMBER	TITLE	ITEM	QTY	PART NUMBER	TITLE
1	1	240.000.1001.MR2	Shaft Hole Blanking Plate	39	1	240.007.1004.MR2	Flail Shaft Key	73	2	ISO_HEXNYLNUT_M12	M12 Nylon Insert Nut
2	1	240.000.1002.MR2	Electrical Enclosure Bracket	42	1	240.010.1001.MR3	Chamber Slope LHS Side Pressing	74	4	ISO_HEXNYLNUT_M3	ISO_HEXNYLNUT_M3
3	1	240.001.1001.MR3	LHS Chamber Pressing	43	1	240.010.1001.MR3_R	Chamber Slope RHS Side Pressing	75	12	ISO_HEXNYLNUT_M5	NYLON INSERT NUT M5
4	1	240.001.1002.MR3	RHS Chamber Pressing	44	1	240.012.1001.MR3	Chamber Slope Back Pressing	76	18	ISO_HEXNYLNUT_M8	M8 Nylon Insert Nut
5	1	240.001.1003.MR3	Grate Mounting Pressing	45	2	240.013.1001.MR3	Grate Side Blanking Plate	77	4	ISO_HEXSOCKHEAD_M3X12	ISO_HEXSOCKHEAD_M3X12
6	1	240.001.1004.MR2	RHS Side Chamber Base Rib	46	1	240.014.1001.MR3	Motor Cover Front Pressing	78	9	ISO_WASH_M10	ISO M10 Washer
7	1	240.001.1004.MR2_R	RHS Side Chamber Base Rib	47	2	240.014.1002.MR3	Motor Cover Top/Bottom Plate	79	84	ISO_WASH_M12	ISO M12 Washer
8	2	240.001.1005.MR3	Bottom Door Hinge	48	1	240.014.1003.MR3	Motor Cover Back	80	30	iso_wash_m8	ISO M8 Washer
9	2	240.001.1006.MR2	Foot Mounting Bracket	49	2	999.999.1019	Rubber Grommet	81	1	Rittal Enclosure 1035.500	Rittal Enclosure 1035.500
10	1	240.001.1007.MR2	Door Latch Bar	50	2	999.999.1071	Levelling Foot Base	82	1	Rockwell 440G-A27011	Rockwell Solenoid Switch Actuator 440G-A27011
11	4	240.001.1008.MR2	Chamber Stiffeneing Rib	51	1	AB 440N-Z2NRS1A_1	Allen Bradley Magnetic Coded Switch 440N Z2NRS1A (Wired)	83	1	Rockwell 440GMT-BODY	Rockwell 440GMT-BODY
12	1	240.001.1009.MR2	Reed Switch Bracket (Chamber)	52	1	AB 440N-Z2NRS1A_2	Allen Bradley Magnetic Coded Switch 440N Z2NRS1A	84	1	Rockwell 440GMT-HEAD	Rockwell 440GMT-HEAD
13	1	240.001.1010.MR2	Gearbox Torque Arm Pressing					85	1	Schneider XB4 BW33B5	Schneider Red LED Pushbutton XB4 BW33B5
14	2	240.001.1011.MR2	Motor Cover Mounting Plate					86	1	Schneider XB4 BW34B5	Schneider Red LED Pushbutton XB4 BW34B5
15	3	240.001.1012.MR3	Chamber Joining Plate	53	1	Dutchi 1.8kW Motor	Dutchi 1.8kW Motor	87	1	Schneider ZB4BS834	Schneider Emergency Stop ZB4BS834
16	2	240.001.1013.MR3	Gas Strut Bottom Spacer Bushing	54	2	FBL 6050_1	Minke Brush FBL 6050_1	88	2	UCF205	Bearing UCF205
17	2	240.002.1001.MR3	Grate Front/Back Plate	55	4	Gas Strut F-SD02-160_3	Gas Strut F-SD02-160 Eye				
18	9	240.002.1002.MR3	Grate Blade	56	2	Gas Strut F-SD03-350_1	Gas Strut F-SD02-160 Tube	89	1	WDS-8550-202	WDS Paddle Latch 8550-202
19	1	240.002.1003.MR3	Grate LHS Side	57	2	Gas Strut F-SD03-350_2	Gas Strut F-SD02-160 Rod	133	6	ISO_HEX_M5x16	HEX HEAD BOLT M5X16
20	1	240.002.1003.MR3_R	Grate RHS Side	58	37	HUPO55_M8	Dejond Tubtara M8 Hexsert	134	1	Schneider XB7 EA21P	Schneider Black Pushbutton XB7 EA21P
21	1	240.003.1001.MR3	Top Lid	59	1	Hydromec P063BRL9015C0MB3	Hydromec Gearbox P063BRL015C0MB3	135	4	240.009.1001.MR2	Short Hammer
22	1	240.003.1002.MR3	Top Lid Plastic Sheet					136	20	240.008.1002.MR2	Hammer Hinge
23	1	240.004.1001.MR3	Bottom Door Pressing	60	41	ISO_BSOCKHEAD_M8X20	ISO BHEAD SOCK SCREW M8X20 0	137	20	240.008.1003.MR2	Hammer Hinge (CSK)
24	2	240.004.1002.MR2	Bottom Door Hinge					138	40	240.008.1004.MR2	Shaft Hammer Swivel Pin
25	1	240.004.1003.MR2	Reed Switch Bracket (Door)					139	40	ISO_CSHD_M8X12	ISO COUNTERSUNK HEAD BOLT M8X12
26	1	240.005.1001.MR3	Loading Door Frame Front Panel	61	6	ISO_CSHD_M5X12	ISO COUNTERSUNK HEAD BOLT M5X12	140	16	240.008.1001.MR2	Long Hammer
27	2	240.005.1002.MR3	Loading Door Side Slide Plate	62	2	ISO_FHCSK_M5X15	ISO FLAT HEAD COUNTERSUNK M5X15				
28	1	240.005.1003.MR3	Loading Door Back Slide Plate (LHS)								
29	1	240.005.1003.MR3_R	Loading Door Back Slide Plate (RHS)	63	9	ISO_HEX_M10X40	ISO HEX BOLT M10X40				
30	1	240.006.1001.MR3	Loading Door Pressing	64	2	ISO_HEX_M12X35	ISO HEX HEAD BOLT M12X35				
31	2	240.006.1002.MR3	Loading Door Slide	65	2	iso_hex_m20x110	ISO HEX BOLT M20X110				
33	2	240.006.1003.MR3	Loading Door Gusset	66	4	ISO_HEX_M5x45	HEX HEAD BOLT M5X45				
34	1	240.006.1004.MR3	Loading Door Handle	67	14	ISO_HEX_M8X20	HEX HEAD BOLT M8X20				
35	1	240.006.1005.MR3	Loading Door Brush Mounting Plate	69	2	iso_hex_m8x50	HEX HEAD BOLT M8X55				
36	1	240.007.1001.MR2	Hammer Shaft	70	2	ISO_HEXNUT_M20	HEX NUT M20				
37	10	240.007.1002.MR2	Hammer Shaft Hinge Bracket	71	2	ISO_HEXNUT_M8	HEX NUT M8				
				72	9	ISO_HEXNYLNUT_M10	M10 Nylon Insert Nut				

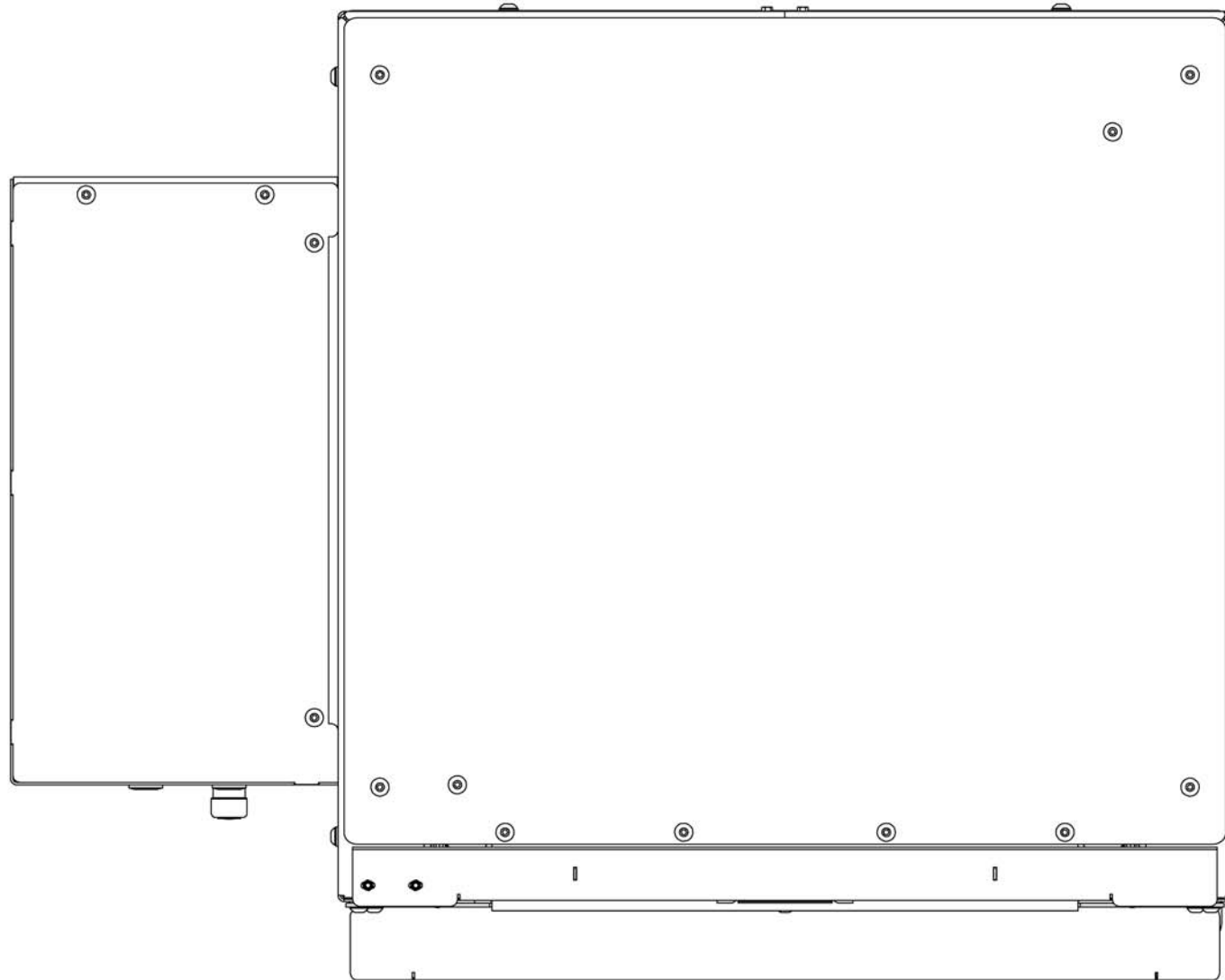



MATERIAL	DATE 22/02/2011	PART NO: 240.000.0000.MR3	The Green Machine Industrial P.O. Box 108 3600 AC Maarssen, The Netherlands Sales T. +31 (0) 653192745 Service T. +31 (0) 628467120 www.thegreenmachine.nl, info@thegreenmachine.nl		
	SCALE N.T.S.	DRAWING NO. SH3	REVISION MR		

ALL DIMENSIONS IN mm
 ROUND AND DEBURR ALL EDGES
 PART TYPE: ASSEMBLY



MATERIAL	DATE	PART NO:		The Green Machine Industrial P.O. Box 108 3600 AC Maarsse, The Netherlands Sales T. +31 (0) 653192745 Service T. +31 (0) 628467120 www.thegreenmachine.nl, info@thegreenmachine.nl	
	22/02/2011	240.000.0000.MR3			
	SCALE	DRAWING NO.	REVISION		
	N.T.S.	SH4	MR		



MATERIAL	DATE 22/02/2011	PART NO: 240.000.0000.MR3		The Green Machine Industrial P.O. Box 108 3600 AC Maarsse, The Netherlands		
	SCALE N.T.S.	DRAWING NO. SH5	REVISION MR	Sales T. +31 (0) 653192745 Service T. +31 (0) 628467120 www.thegreenmachine.nl, info@thegreenmachine.nl		