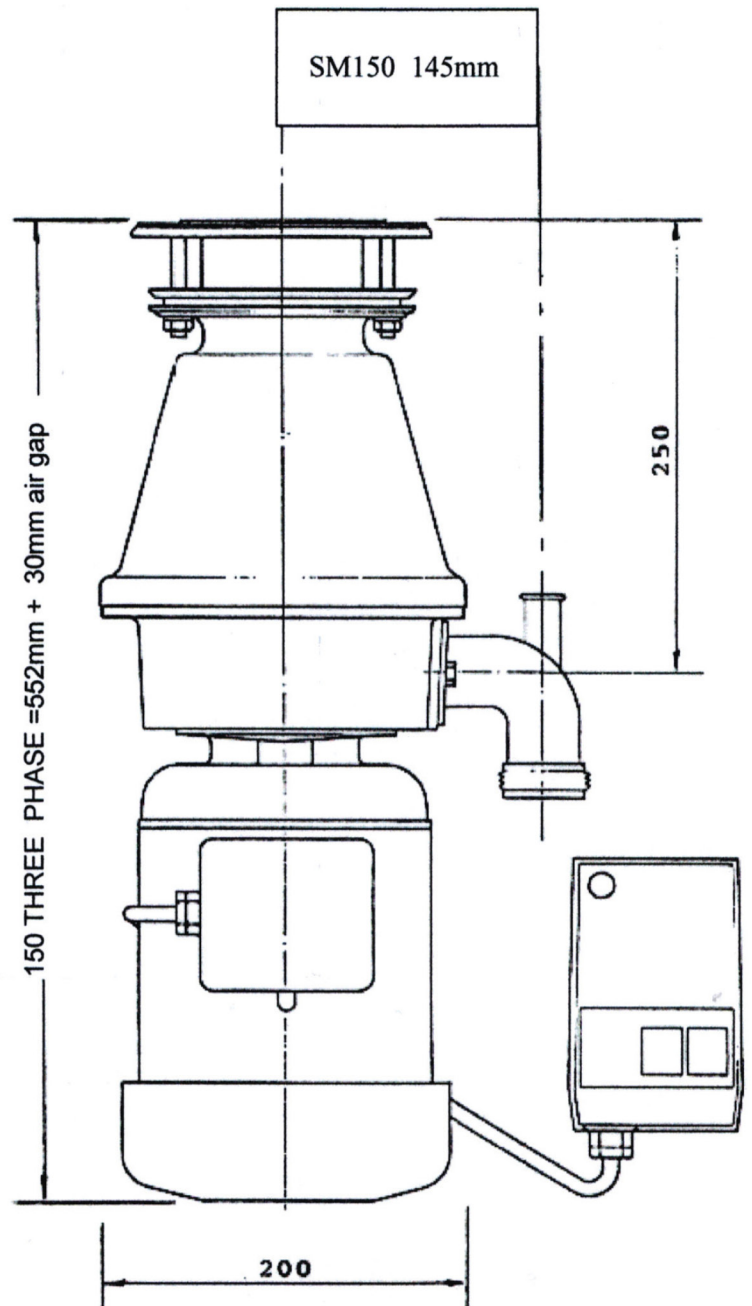
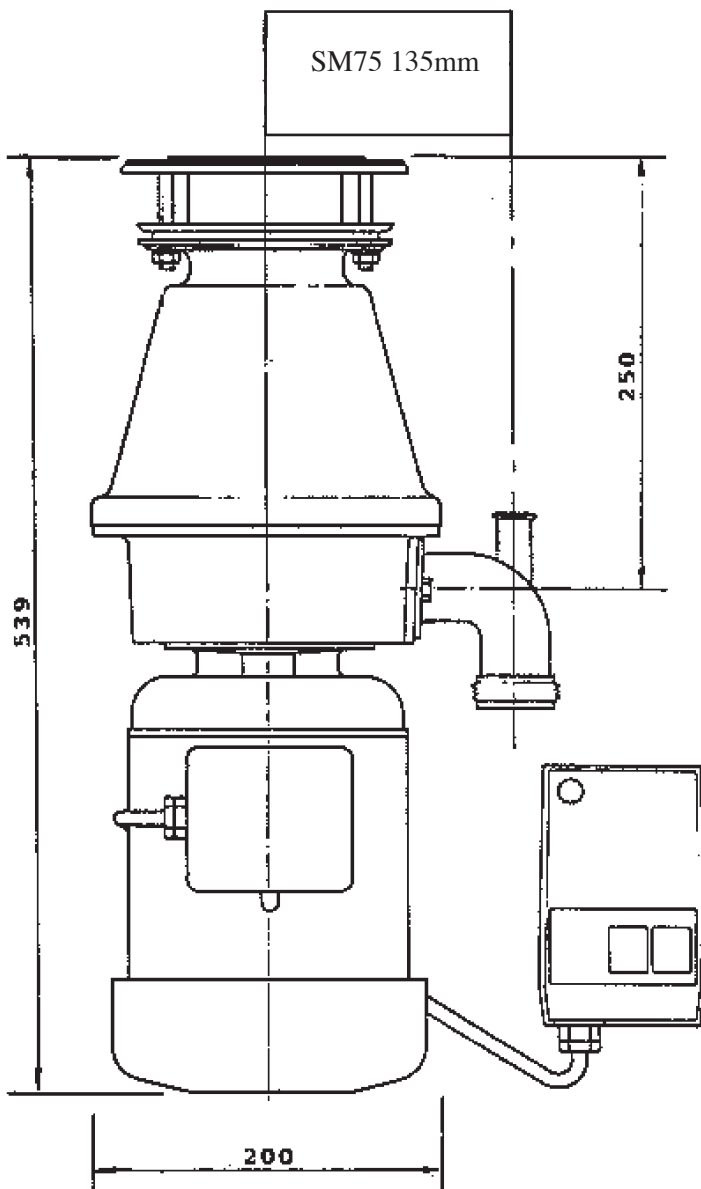


Dimensions TGMi SM75 - SM150

Issue No:	Authorised:	Date:
1	K.Bonfield	02/01/2018
2	K.Bonfield	02/01/2018
3		
4		



Capacity/hour 150kg
 Motor 0.75 kW (3/4 HP)
 Voltages 220/240-1-50/60 or 415/440-3-50/60
 Controler Wall Mounted - Marpol Approved

Capacity/hour 250kg including small bones
 Motor 1.0 kW (1.35 HP)
 Voltages 220/240-1-50/60 or 415/440-3-50/60
 Controler Wall Mounted - Marpol Approved